

10/100BASE-T SINGLE TRANSFORMER MODULES

- ◆ Compliant with IEEE802.3 and ANSI X3.263 standards
Including 350uH OCL with 8mA Bias.
- ◆ Single Channel Interface For 10/100 Mbps Ethernet Applications
- ◆ Comply With ROHS



ELECTRICAL SPECIFICATIONS@25°C (Operating Temperature :0°C to 70°C)

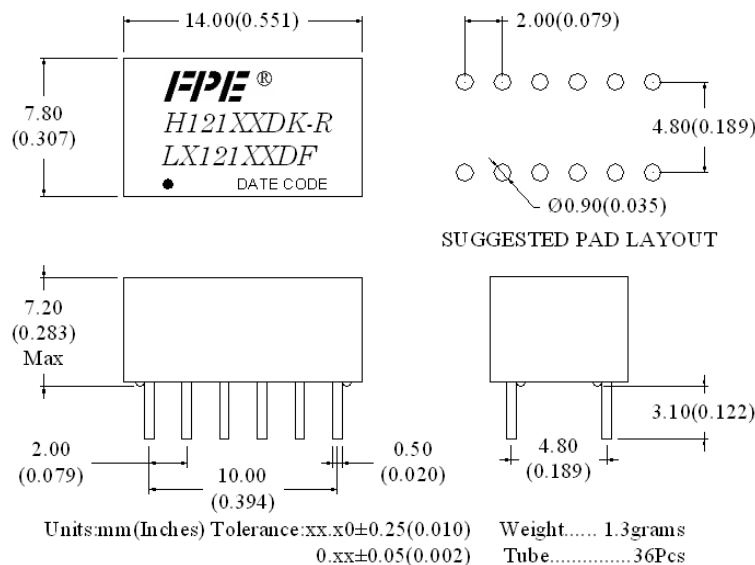
Part Number	Turns Ratio ± 5%	Insertion Loss(dB max)	Return Loss (dB min)			CMRR (dB min)			Cross Talk (dB min)			Hipot (vrms)
		1-100MHz	1-30 MHz	30-60 MHz	60-80 MHz	1-30 MHz	30-60 MHz	60-100 MHz	1-30 MHz	30-60 MHz	60-100 MHz	
H12106DK-R	1:1	-1.0	-18	-14	-12	-40	-35	-30	-45	-35	-30	1500
H12107DK-R	1:1	-1.0	-18	-14	-12	-40	-35	-30	-45	-35	-30	1500
H12111DK-R	1:1	-1.0	-18	-14	-12	-40	-35	-30	-45	-35	-30	1500
LH12108DF	1:1	-1.0	-18	-14	-12	-40	-35	-30	-45	-35	-30	1500
LH12113DF	1:1	-1.0	-18	-14	-12	-40	-35	-30	-45	-35	-30	1500
LX12101DF*	1:1	-1.0	-18	-14	-12	-40	-35	-30	-45	-35	-30	1500

Note:

* IEEE802.3af compliant performance

MECHANICAL

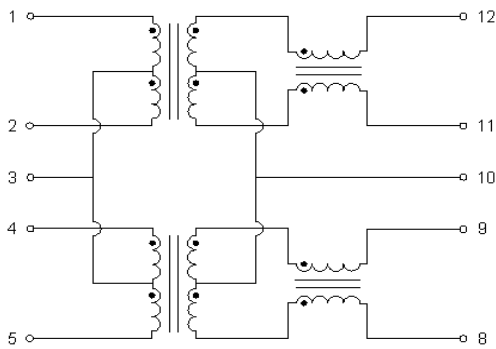
H121XXDK-R, LX121XXDF



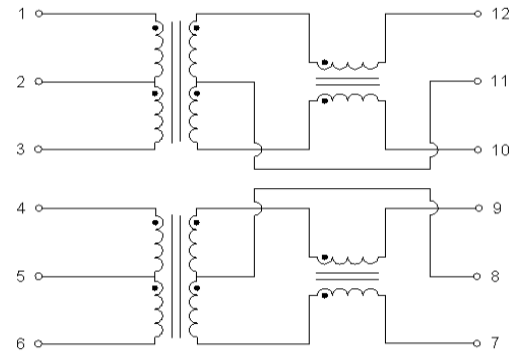
10/100BASE-T SINGLE TRANSFORMER MODULES

SCHEMATICS

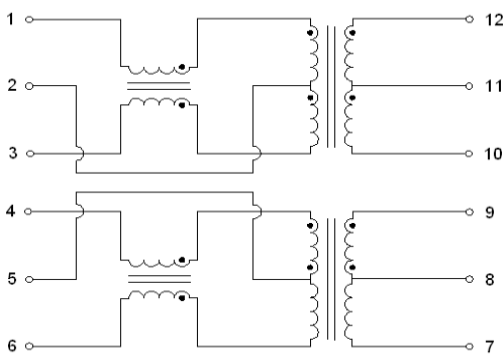
H12106DK-R



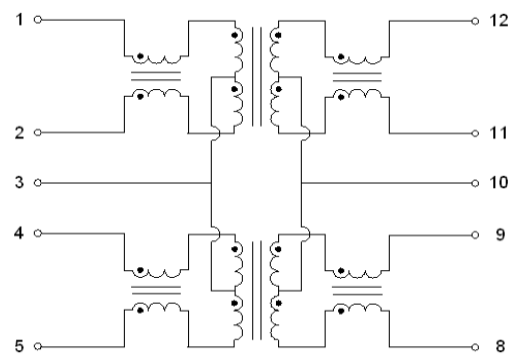
H12107DK-R



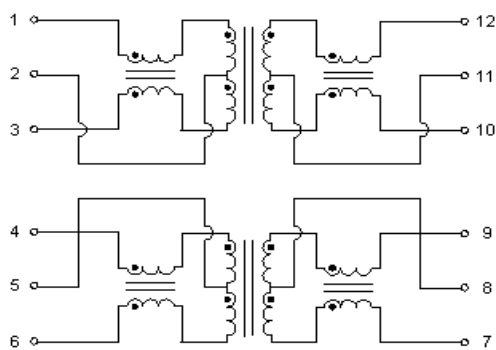
H12111DK-R



LH12108DF



LH12113DF



LX12101DF

